



## PRELUDE MID RANGE XL35 24mm Exposed Tee System

### BENEFITS

- Hot dipped galvanized coating inhibits red rusting better than electrogalvanized, painted or plated systems.
- System is engineered and designed to coordinate with Armstrong & Thermanex Ceilings.
- PeakForm patented main beam profile for installation with Prelude XL stab-end cross tees.
- The PeakForm bulb design increases strength and stability for improved performance.
- Superlock main beam clip engineered for a strong, secure connection and fast accurate alignment confirmed with an audible click.
- Easy to cut thanks to the PeakForm bulb design.
- Rotary stitched for additional torsional strength and extra stability during installation.
- Slots at 100mm centres for more flexibility.
- Easy to remove and relocate.
- Faster and easier insertion/installation of XL cross tees.
- Tighter tee to tee connection.
- It has better load carrying capability.

### Material

Double-web hot dipped galvanized steel

### Surface Finish

Baked polyester paint

### Cross Tee/Main Beam

#### Interface

XL-Override

### End Detail

PeakForm main beam:  
Superlock staked-on clip  
Cross Tee: Staked-on clip

### Profile

Exposed tee system

### Classification

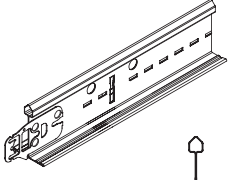
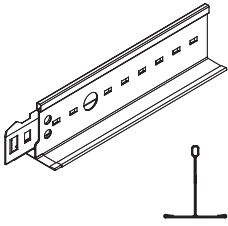
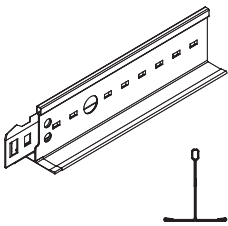
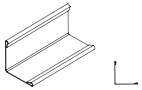
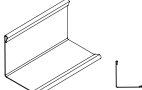
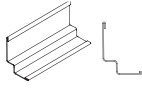


Light duty LD

### Colour Selection

White (WH)

# PRELUDE MID RANGE XL35

## 24mm Exposed Tee System

Mid Range XL35						
	Item Number	Description	Dimensions			
			Roof Spacing	Length	Height	Width
	BP734252P	3000mm Main Beam	100mm	3000mm	35mm	24mm
	BP734752P	120" Main Beam	4"	120"	1-3/8"	15/16"
	BP313061	1200mm Cross Tee	600mm	1200mm	27mm	24mm
	XL7147WH	48" Cross Tee	24"	48"	1-1/16"	15/16"
	BP312011	600mm Cross Tee	-	600mm	25mm	24mm
	XL7124WH	24" Cross Tee	-	24"	1"	15/16"
Wall Mounting						
	BPT1945H	3000mm Angle Molding	-	3000mm	19mm	19mm
	BPT2222H	3000mm Angle Molding	-	3000mm	22mm	22mm
	BP784203	3000mm Shadow Molding	-	3000mm	19 x 7 x 7 x 14mm	
 <b>Sustainability</b>	 25%					

**Note:** Hanger Spacing 1200mm, Load: \* 14.27kg/m  
Mid Range XL35 is also known as PeakForm 888



SCAN & EMAIL ME

### Contact



# PEAKFORM PRELUDE XL43 24mm Exposed Tee System

## BENEFITS

- Hot dipped galvanized coating inhibits red rusting better than electrogalvanized, painted or plated systems.
- System is engineered and designed to coordinate with Armstrong & Thermax Ceilings.
- PeakForm patented main beam profile for installation with Prelude XL stab-end cross tees.
- The PeakForm bulb design increases strength and stability for improved performance.
- Superlock main beam clip engineered for a strong, secure connection and fast accurate alignment confirmed with an audible click.
- Easy to cut thanks to the PeakForm bulb design.
- Rotary stitched for additional torsional strength and extra stability during installation.
- Slots at 100mm centres for more flexibility.
- Easy to remove and relocate.
- Faster and easier insertion/installation of XL cross tees.
- Tighter tee to tee connection.
- It has better load carrying capability.

## Material

Double-web hot dipped galvanized steel

## Surface Finish

Baked polyester paint

## Cross Tee/Main Beam

### Interface

XL-Override

## End Detail

PeakForm main beam:  
Superlock staked-on clip  
Cross Tee: Staked-on clip

## Profile

Exposed tee system

## Classification


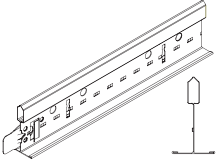

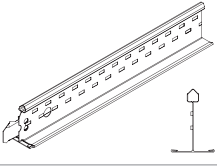

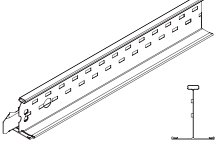
Intermediate duty ID

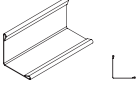
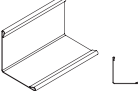
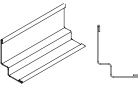
## Colour Selection

White (WH)

# PEAKFORM PRELUDE XL43

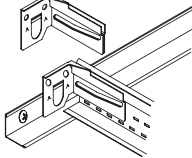
## 24mm Exposed Tee System

Prelude HD						
	Item Number	Description	Dimensions			
			Rout Spacing	Length	Height	Width
	 BP734042*	3600mm Main Beam	100mm	3600mm	43mm	24mm
	 BP313052P	1200mm Cross Tee	600mm	1200mm	35mm	24mm
	 BP312022	600mm Cross Tee	–	600mm	30mm	24mm

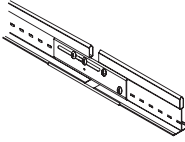
Wall Molding						
	BPT1945H	3000mm Angle Molding	–	3000mm	19mm	19mm
	BPT2222H	3000mm Angle Molding	–	3000mm	22mm	22mm
	BP784203	3000mm Shadow Molding	–	3000mm	19 x 7 x 7 x 14mm	

### Seismic Grid

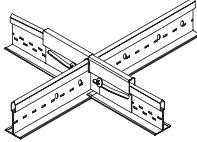
The performance of the Armstrong Seismic RX Suspension System is based on the specific combination of components and method of installation. Other manufacturer's components and installation methods were not tested and are not covered in this evaluation. The objective is to provide an unrestrained free-floating ceiling system that will accommodate the movement of the structure during a seismic event.




BERC2-Beam End Retaining Clip



Seismic Joint Clip-Main Beam



Seismic Joint Clip-Cross Tee/MB



Expansion Sleeve

	<b>Sustainability</b>	 25%
--	-----------------------	--

**Note:** Hanger Spacing 1200mm, \*Load: 22 kg/m (ID)



SCAN & EMAIL ME

### Contact

# PEAKFORM PRELUDE HD 24mm Exposed Tee System

## BENEFITS

- Hot dipped galvanized coating inhibits red rusting better than electrogalvanized, painted or plated systems.
- System is engineered and designed to coordinate with Armstrong & Thermanex ceilings.
- PeakForm patented main beam profile for installation with Prelude XL stab-end cross tees.
- The PeakForm bulb design increases strength and stability for improved performance.
- Superlock main beam clip engineered for a strong, secure connection and fast accurate alignment confirmed with an audible click.
- Easy to cut thanks to the PeakForm bulb design.
- Rotary stitched for additional torsional strength and extra stability during installation.
- Slots at 100mm centres for more flexibility.
- Easy to remove and relocate.
- Faster and easier insertion/installation of XL cross tees.
- Tighter tee to tee connection.
- It has better load carrying capability.

## Material

Double-web hot dipped galvanized steel

## Surface Finish

Baked polyester paint

## Cross Tee/Main Beam

### Interface

XL-Override

## End Detail

PeakForm main beam:  
Superlock staked-on clip  
Cross Tee: Staked-on clip

## Profile

Exposed tee system

## Classification


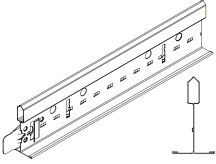

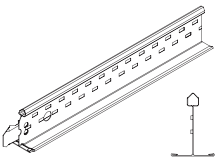

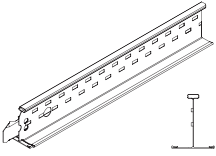
Heavy Duty per ASTM C635

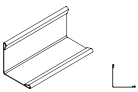
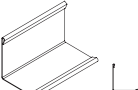
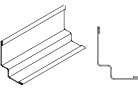
## Colour Selection

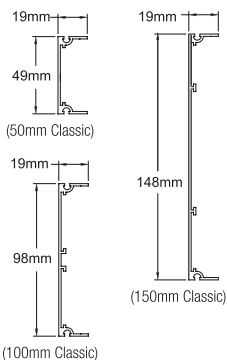
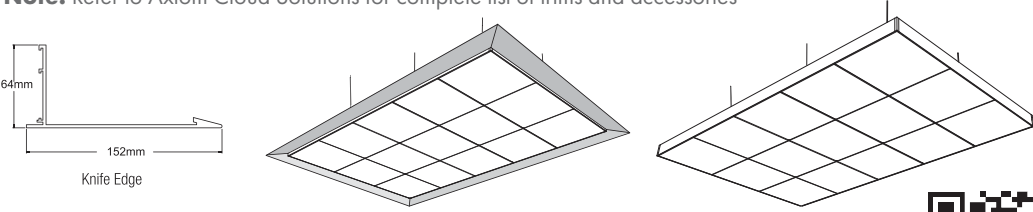
White (WH)

# PEAKFORM PRELUDE HD

## 24mm Exposed Tee System

Prelude HD						
	Item Number	Description	Dimensions			
			Roof Spacing	Length	Height	Width
	 BP734043*	3600mm Main Beam	100mm	3600mm	43mm	24mm
	 BP313052P	1200mm Cross Tee	600mm	1200mm	35mm	24mm
	 BP312022	600mm Cross Tee	-	600mm	30mm	24mm

Wall Molding						
	BPT1945H	3000mm Angle Molding	-	3000mm	19mm	19mm
	BPT2222H	3000mm Angle Molding	-	3000mm	22mm	22mm
	BP784203	3000mm Shadow Molding	-	3000mm	19 x 7 x 7 x 14mm	

Float Ceiling Trims - AXIOM						
	AX2STR42	50mm classic straight	-	3000mm	49mm	19mm
	AX4STR42	100mm classic straight	-	3000mm	98mm	19mm
	AX6STR42	150mm classic straight	-	3000mm	148mm	19mm
	AXKE2STR42	Knife Edge Straight	-	3000mm	152mm	64mm
	<b>Note:</b> Refer to Axiom Cloud Solutions for complete list of trims and accessories					
						

 **Sustainability**

 25%



SCAN & EMAIL ME

**Note:** Hanger Spacing 1200mm, Load: \*25kg/m